



LIHYANN INDUSTRIAL CO.,LTD

753, Sec 1, Si-Nan Rd., Wurih, 41465 Taichung, Taiwan

TEL: +886-4-23351588 FAX: +886-4-23359383

E-mail: inquiry@vaccups.com <http://www.vaccups.com>



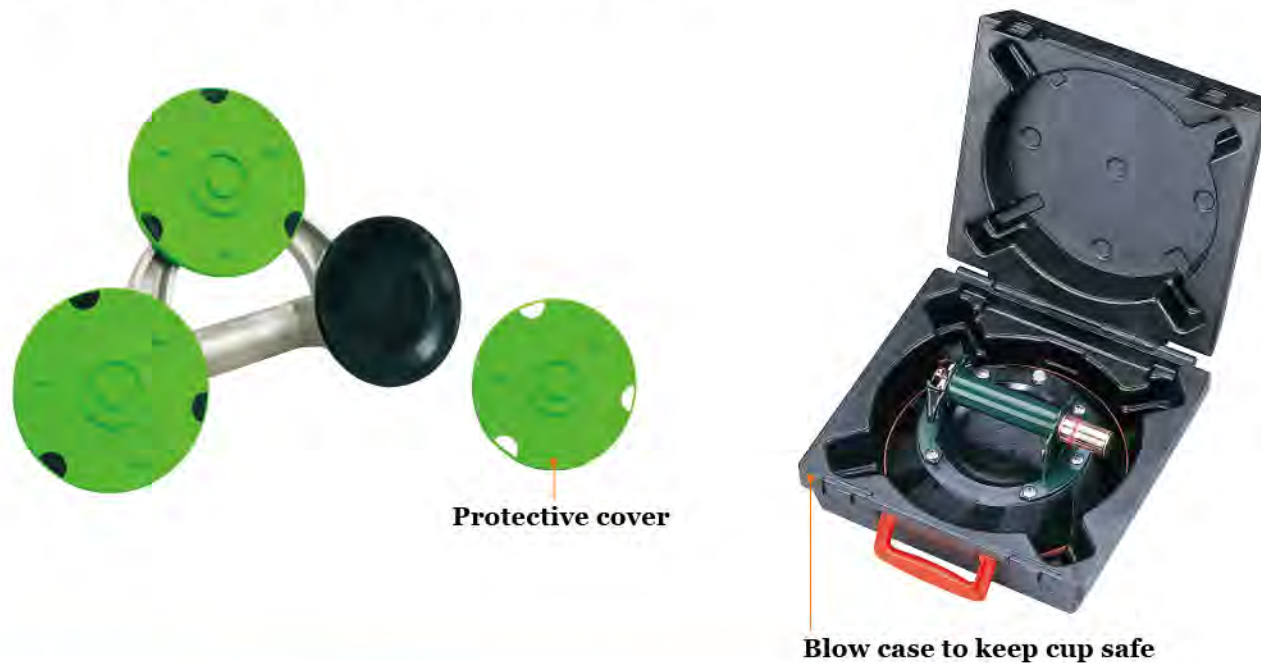
MULTI-FUNCTION SUCTION LIFTER

PROFESSIONAL GLAZING/STONE TOOLS





- ▶ The multi-function powerful suction lifter is the latest product designed and developed by Lih Yann Co., Ltd.
- ▶ The lifter's frame is in high-density aluminum alloy. Each suction cup can bear a load of 20kgs~150kgs and they can move independently over a range of angles. The lifter can be used for car panel repairs as well as for lifting or moving glass, marble, large furniture or electrical appliances such as refrigerators and washing machines, also for other similar tasks like building, engineering ind etc. You can explore the usage by your creativity.
- ▶ The most helpful tool in moving objects / materials. Also for construction purpose under special situation.
- ▶ While moving objects, use suction lifter to finish the task.
- ▶ The suction structure is made of high-density aluminum alloy.
- ▶ Unique design of adjustable suction cup which can increase the adhesion of the lifted object. In car plating, use it to restore the concavity by suction.
- ▶ These vacuum cup lifters are handy for a number of applications. Especially useful in the shop for moving laminated sheets or transferring tools, they can also be used for lifting sheet metal, glass, ceramic and marble slabs, as well as filing cabinets and some furniture.
- ▶ Made from lightweight cast aluminum, the lifters feature from 3" to 10" diameter cups and are capable of holding substantial weights.



Pump Vacuum Suction Cup



01

Heavy Duty Vacuum Suction Cup -with high lifting capacity for heavy loading



06

Single Suction Cup



07

Double Suction Cups Triple Suction Cups Fourfold Suction Cups



10

Speciality Suction Cups -With Spherical Rubber Pad



13

Seaming Tool



17

Professional Tool Cart & Cases



21

Accessories



23

Pump Vacuum Suction Cup



- ▶ Suction lifter in sturdy metal extrusion with high carrying capacity for large or heavy loads.
- ▶ Suitable for all materials with smooth, flat, airtight surfaces such as glass, plastic, metal, coated wood, marble, etc.
- ▶ Very high degree of safety because vacuum can be visibly monitored at all times.
- ▶ Large bell-shaped suction cup, also suitable for strongly arched surfaces.
- ▶ Protection design of release valve to prevent inadvertent operation.
- ▶ Vacuum leakage indicator with suction quick release button.

WH-9601HP10

10" Pump Vacuum Suction Cup

Loading Capacity	N.W	G.W	Material	Diameter	Main body	
130kgs ↑	1.8kgs	2.48kgs	Brass Handle	254mm	10"	Steel & Brass

- ▶ Includes protective carry case and protect cover.
- ▶ 10" Vacuum Cup Metal Handle.
- ▶ All-metal handle/pump assembly with concave pad for curved surfaces.
- ▶ Vacuum leakage indicator with suction quick release button.



WH-9601HP10A

10" Pump Vacuum Suction Cup

Loading Capacity	N.W	G.W	Material	Diameter	Main body	
140kgs ↑	1.6kgs	2.48kgs	Brass Handle	254mm	10"	Steel & Brass

- ▶ Includes protective carry case and protect cover.
- ▶ 10" Vacuum Cup Metal Handle.
- ▶ All-metal handle/pump assembly with flat pad for flat surfaces.
- ▶ Vacuum leakage indicator with suction quick release button.



WH-9601HP10B

10" Pump Vacuum Suction Cup

Loading Capacity	N.W	G.W	Material	Diameter	Main body	
80kgs ↑	1.2kgs	1.7kgs	Plastic Handle	254mm	10"	Plastic

- ▶ Includes protective carry case and protect cover.
- ▶ 10" Vacuum Cup Metal Handle.
- ▶ All-metal handle/pump assembly with concave pad for curved surfaces.
- ▶ Vacuum leakage indicator with suction quick release button.



WH-9601HP9

9" Pump Vacuum Suction Cup

Loading Capacity	N.W	G.W	Material	Diameter	Main body	
120kgs ↑	1.7kgs	2.3kgs	Brass Handle	230mm	9"	Steel & Brass



- ▶ Includes protective carry case and protect cover.
- ▶ 9" Vacuum Cup Metal Handle.
- ▶ All-metal handle/pump assembly with flat pad for flat surfaces.
- ▶ Vacuum leakage indicator with suction quick release button.



WH-9601HP8

8" Pump Vacuum Suction Cup

GS Loading Capacity	Loading Capacity	N.W	G.W	Material	Diameter	Main body	
65kgs ↑	100kgs ↑	1.4kgs	2.0kgs	Brass Handle	200mm	8"	Steel & Brass



- ▶ Includes protective carry case and protect cover.
 - ▶ 8" Vacuum Cup Metal Handle.
 - ▶ All-metal handle/pump assembly with flat pad for flat surfaces.
 - ▶ Vacuum leakage indicator with suction quick release button.
- Safety factor is 2 under GS requirement.**



WH-9601HP8A

8" Pump Vacuum Suction Cup

GS Loading Capacity	Loading Capacity	Weight	Material	Diameter	Main body	
55kgs ↑	80kgs ↑	0.85kgs	Plastic Handle	200mm	8"	Plastic



- ▶ Includes protective carry case and protect cover.
 - ▶ 8" Vacuum Cup Plastic Handle.
 - ▶ All-metal handle/pump assembly with flat pad for flat surfaces.
 - ▶ Vacuum leakage indicator with suction quick release button.
- Safety factor is 2 under GS requirement.**



WH-9601HP8C

8" Pump Vacuum Suction Cup

Loading Capacity	Weight	Material	Diameter	Main body	
60kg ↑	1.29kgs	Brass Handle	200mm	8"	Steel & Brass



- ▶ Includes protective carry case and protect cover.
- ▶ 8" Vacuum Cup Metal Handle.
- ▶ All-metal handle/pump assembly with flat pad for flat surfaces.
- ▶ Vacuum leakage indicator with suction quick release button.



WH-9601HP8E

8" Alarming Vacuum Suction Cup

Loading Capacity	Weight	Material	Diameter	Main body
100kgs ↑	2.0kgs	Brass Handle	200mm 8"	Steel & Brass



- ▶ Includes protective carry case and protect cover.
- ▶ 8" Vacuum Cup Metal Handle.
- ▶ All-metal handle/pump assembly with flat pad for flat surfaces.
- ▶ Vacuum leakage indicator with suction quick release button.



with alarm warning system

WH-9601HP8S

8" Hand Pump Suction Lifter

Loading Capacity	Weight	Material	Diameter	Main body
80kgs ↑	2.0kgs	Brass Handle	200mm 8"	Steel & Brass



- ▶ Includes protective carry case and protect cover.
- ▶ 8" Vacuum Cup Metal Handle.
- ▶ All-metal handle/pump assembly with flat pad for flat surfaces.
- ▶ Vacuum leakage indicator with suction quick release button.



with spherical rubber pad

WH-9601HP8G

8" Pump Vacuum Suction Cup

Loading Capacity	Weight	Material	Diameter	Main body
100kgs ↑	2.5kgs	Brass Handle	200mm 8"	Steel & Brass



- ▶ Includes protective carry case and protect cover.
- ▶ 8" Vacuum Cup Metal Handle.
- ▶ All-metal handle/pump assembly with flat pad for flat surfaces.
- ▶ Vacuum leakage indicator with suction quick release button.



Vacuum Mounting Cups

- ▶ Durable polycarbonate accessory mount with threaded stud for attaching equipment.
- ▶ Studs available in various lengths and threads, including metric sizes.
- ▶ Provides a reliable, temporary vacuum mount, without drilling holes.
- ▶ Rubber vacuum pad will not mark or damage most surfaces.
- ▶ Attaches to flat or curved, smooth, nonporous surfaces.
- ▶ Red-line indicator warns user of any vacuum loss.
- ▶ Check valve allows repumping without loss of remaining vacuum.
- ▶ Lift tabs on vacuum pad edges permit instant release.
- ▶ Supplied with vacuum pad protector.

WH-P3A

WH-P5A

WH-P6A

Model	Weight	Description	Diameter	Main body
WH-P3A	160gs	Suction cups	75mm 3"	Plastic
WH-P5A	250gs	Suction cups	122mm 5"	Plastic
WH-P6A	290gs	Suction cups	150mm 6"	Plastic



WH-9601HP7

7" Pump Vacuum Suction Cup

Loading Capacity	Weight	Material	Diameter	Main body
40kgs ↑	1060gs	Brass Plunger	178mm 7"	Steel & Brass



- ▶ 7" Vacuum Cup Metal Handle.
- ▶ All-metal handle/pump assembly with flat pad for flat surfaces.
- ▶ Vacuum leakage indicator with suction quick release button.



WH-9601HP7A

7" Pump Vacuum Suction Cup

Loading Capacity	Weight	Material	Diameter	Main body
35kgs ↑	960gs	Plastic Plunger	178mm 7"	Steel



- ▶ 7" Vacuum Cup Metal Handle.
- ▶ Steel and plastic handle/pump assembly with flat pad for flat surfaces.
- ▶ Vacuum leakage indicator with suction quick release button.



WH-9601HP7B

7" Pump Vacuum Suction Cup

Loading Capacity	Weight	Material	Diameter	Main body
35kgs ↑	1060gs	Brass Plunger	178mm 7"	Steel & Brass



- ▶ 7" Vacuum Cup Metal Handle.
- ▶ All-metal handle/pump assembly with concave pad for curved surfaces.
- ▶ Vacuum leakage indicator with suction quick release button.



with spherical rubber pad

WH-9601HP7C

7" Pump Vacuum Suction Cup

Loading Capacity	Weight	Material	Diameter	Main body
30kgs ↑	960gs	Plastic Plunger	178mm 7"	Steel



- ▶ 7" Vacuum Cup Metal Handle.
- ▶ Steel and plastic handle/pump assembly with concave pad for curved surfaces.
- ▶ Vacuum leakage indicator with suction quick release button.



with spherical rubber pad

WH-9601HP7E

7" Pump Vacuum Suction Cup

Loading Capacity	Weight	Material	Diameter	Main body
40kgs ↑	1060gs	Brass Plunger	178mm 7"	Steel & Brass



- ▶ 7" Vacuum Cup Metal Handle.
- ▶ All-metal handle/pump assembly with concave pad for curved surfaces.
- ▶ Vacuum leakage indicator with suction quick release button.



SL-600A

6" Pump Vacuum Suction Cup

Loading Capacity	Weight	Material	Diameter	Main body
35kgs ↑	800gs	Brass Plunger	150mm 6"	Steel & Brass

- ▶ 6" Vacuum Cup Metal Handle.
- ▶ Brass and Metal handle/pump assembly with flat pad for flat surfaces.
- ▶ Vacuum leakage indicator with suction quick release button.



SL-500

5" Pump Vacuum Suction Cup

Loading Capacity	Weight	Material	Diameter	Main body
20kgs ↑	410gs	Plastic Plunger	125mm 5"	Plastic & Brass

- ▶ 5" Vacuum Cup Plastic Handle.
- ▶ Brass and plastic handle/pump assembly with concave pad for curved surfaces.
- ▶ Vacuum leakage indicator with suction quick release button.



SL-600

6" Pump Vacuum Suction Cup

Loading Capacity	Weight	Material	Diameter	Main body
30kgs ↑	660gs	Plastic Plunger	150mm 6"	Plastic & Brass

- ▶ 6" Vacuum Cup Plastic Handle.
- ▶ Brass and plastic handle/pump assembly with flat pad for flat surfaces.
- ▶ Vacuum leakage indicator with suction quick release button.



SL-700

7" Pump Vacuum Suction Cup

Loading Capacity	Weight	Material	Diameter	Main body
40kgs ↑	770gs	Plastic Plunger	178mm 7"	Plastic & Brass

- ▶ 7" Vacuum Cup Plastic Handle.
- ▶ Brass and plastic handle/pump assembly with flat pad for flat surfaces.
- ▶ Vacuum leakage indicator with suction quick release button.



WH-P6

6" Vacuum Mounting Cup

Weight	Diameter	Main body
450gs	178mm 7"	Plastic & Brass



Heavy Duty Vacuum Suction Cup

-with high lifting capacity for heavy loading

- ▶ Suitable for all materials with smooth, flat, airtight surfaces such as glass, plastic, metal, coated wood, marble, etc.

WH-9601H

Tri-Position Vacuum Suction Cup

Loading Capacity	Weight	Description	Diameter	Main body
130kgs ↑	2380gs	For heavy duty using	200mm 8"	Aluminum

- ▶ Three position handle locks into place for desired lifting application.
- ▶ Center knob tightens to secure vacuum cup.
- ▶ Includes protective carry case and protective cover.



Angle adjusted in 3 position

WH-9601HA

Vacuum Gauge Suction Cup

Loading Capacity	Weight	Description	Diameter	Main body
60kgs ↑	1500gs	For heavy duty using	175mm 6.88"	Aluminum

- ▶ The vacuum is produced by pressing the lever down.
- ▶ Includes protective carry case and protective cover.



Vacuum Gauge

WH-9601HB

Lever Vacuum Suction Cup

Loading Capacity	Weight	Description	Diameter	Main body
100kgs ↑	1620gs	For heavy duty using	175mm 6.88"	Aluminum

- ▶ The 6.90"~7.9" long single-cup lifters are best suited for vertical-mount applications and will hold material weighing up to 330 lb (150kg).
- ▶ Includes protective carry case and protective cover.



Single Suction Cup

- ▶ Squeezing the handle together to perform suction operation.
- ▶ Suction capacity : up to 25 kgs.
- ▶ Easy to use-suction is created by single handedly pulling handles together. When released, suction is lost.
- ▶ Lightweight aluminum body.

WH-9601A

Single Suction Cup

Loading Capacity	Weight	Description	Diameter		Main body
30kgs ↑	480gs	Single cup - flat	123mm	4.88"	Aluminum



WH-9601B

Single Suction Cup

Loading Capacity	Weight	Description	Diameter		Main body
20kgs ↑	820gs	Single cup - vertical grip	117mm	4.6"	Aluminum



- ▶ The more versatile 4.84" lifter can hold material weighing up to 20 kg and is suitable for vertical-mount applications.

WH-9601C

Single Suction Cup

GS Loading Capacity	Loading Capacity	Weight	Description	Diameter		Main body
10Kgs ↑	20kgs ↑	330gs	Single cup - flat	123mm	4.84"	ABS



- ▶ The vacuum is produced by gripping the two-part handle together.
- ▶ The handle allows one-handed operation and thus quick, efficient work.
Safety factor is 2 under GS requirement.

WH-9801A

Single Suction Cup

GS Loading Capacity	Loading Capacity	Weight	Description	Diameter		Main body
15Kgs ↑	40kgs ↑	470gs	Single cup	123mm	4.84"	Aluminum



Safety factor is 2 under GS requirement.

WH-9601G

Single Suction Cup

Loading Capacity	Weight	Description	Diameter		Main body
25kgs ↑	340gs	Single cup	117mm	4.6"	Aluminum



WH-9601G1

Single Suction Cup

Loading Capacity	Weight	Description	Diameter		Main body
25kgs ↑	440gs	Single cup	117mm	4.6"	Aluminum



WH-9601L

Single Suction Cup

Loading Capacity	Weight	Description	Diameter		Main body
NIL	500gs	Single cup	117mm	4.6"	Aluminum



WH-9601N

Single Suction Cup

Loading Capacity	Weight	Description	Diameter		Main body
NIL	440gs	Single cup	117mm	4.6"	Aluminum



WH-9601S

Single Suction Cup

Loading Capacity	Weight	Description	Diameter		Main body
20Kgs ↑	860gs	Single cup	160x90x160mm		Aluminum



WH-9601MA

Single Suction Cup

Loading Capacity	Weight	Description	Diameter	Main body
20kgs ↑	600gs	Single cup	125mm 4.92"	Aluminum



WH-9601MB

Single Suction Cup

Loading Capacity	Weight	Description	Diameter	Main body
15kgs ↑	600gs	Single cup	125mm 4.92"	Plastic



Plastic Handle

WH-9601Q

Suction Lifter, All-rubber. With two finger holes

- ▶ For working quick and efficiently.
- ▶ Suitable for all materials with smooth, flat, airtight surfaces such as glass, plastic, metal, coated wood, marble, etc.
- ▶ The small diameter of the rubber pads makes it suitable for handling small objects or for removing cable channel coverings, etc.



Weight	Diameter	Main body
120 gs	126mm 4.96"	Rubber

WH-9601R

Single Suction Cup

Loading Capacity	Weight	Description	Diameter	Main body
10kgs ↑	280gs	Single cup	137mm 5.4"	PA



Double Suction Cups

- ▶ Universal suction lifter for handling all kinds of loads.
- ▶ Makes working with unwieldy parts quicker and more effective.



Used to carry marble or other construction material.



WH-9602

Double Suction Cups

GS Loading Capacity	Loading Capacity	Weight	Description	Diameter	Main body
25Kgs ↑	50kgs ↑	780gs	2 Single cup	117mm 4.6"	Aluminum

- ▶ All aluminum body with center handle for easy lifting.
Safe factor is 2 by GS requirement.



WH-9802

Double Suction Cups Nickel plated

GS Loading Capacity	Loading Capacity	Weight	Description	Diameter	Main body
25Kgs ↑	60kgs ↑	900gs	2 Single cup	123mm 4.84"	Aluminum

- ▶ All aluminum body with center handle for easy lifting.
Safe factor is 2 by GS requirement.



WH-9602CA

Double Suction Cups

GS Loading Capacity	Loading Capacity	Weight	Description	Diameter	Main body
25Kgs ↑	40kgs ↑	560gs	2 Single cup	117mm 4.6"	ABS Plastic

- Safe factor is 2 by GS requirement.*



WH-9802S

Double Suction Cups-with silicon rubber pad

Loading Capacity	Weight	Description	Diameter	Main body
60kgs ↑	900gs	2 Single cup	123mm 4.84"	Aluminum

- ▶ All aluminum body with center handle for easy lifting.



Silicon



Nickel plated

With Flexible Heads

► Designed for curved surfaces/glass.

WH-9602A

Double Suction Cups **with adjustable heads**

Loading Capacity	Weight	Description	Diameter	Main body
35kgs \updownarrow	1180gs	2 Suction cups	117mm 4.6"	Aluminum

► Lightweight double cup lifter has a swivel action design enabling its use on curved glass, popular with the windscreens industry, dented panels or any other smooth surfaced materials.



WH-9802A

Double Suction Cups **with adjustable heads**

Loading Capacity	Weight	Description	Diameter	Main body
40kgs \updownarrow	1200gs	2 Suction cups	123mm 4.84"	Aluminum

► Lightweight double cup lifter has a swivel action design enabling its use on curved glass, popular with the windscreens industry.



Nickel plated

WH-9602CB

Double Suction Cups **with adjustable heads**

Loading Capacity	Weight	Description	Diameter	Main body
30kgs \updownarrow	580gs	2 Suction cups movable heads	117mm 4.6"	ABS Plastic



WH-9602CD

Double Suction Cups **with adjustable heads**

Loading Capacity	Weight	Description	Diameter	Main body
40kgs \updownarrow	600gs	2 Suction cups	148mm 5.8"	ABS Plastic



WH-9603C

Triple Suction Cups **with fix heads**

Loading Capacity	Weight	Description	Diameter	Main body
70kgs \updownarrow	800gs	3 Suction cups	117mm 4.6"	ABS

► Triple Pad.
► A triangular formation of three pads with a common handle.



WH-9803

Triple Suction Cups



GS Loading Capacity	Loading Capacity	Weight	Description	Diameter	Main body
35kgs \updownarrow	100kgs \updownarrow	1410gs	3 Suction cups	123mm 4.84"	Aluminum

► Triple Pad.
► A triangular formation of three pads with a common handle.
Safety factor is 2 under GS requirement.



Nickel plated

WH-9804

Fourfold Suction Cups

Loading Capacity	Weight	Description	Diameter	Main body
120kgs \updownarrow	1840gs	4 Suction cups	123mm 4.84"	Aluminum



Nickel plated

With Spherical Rubber Pad

► The longitudinal holes in the articulated joints allow the transport of surfaces which are curved beyond standard such as those found on some automobile windscreens.
► Aluminum handle.
► Handy trigger release allows for very quick production handling, also widely used in the motor body repair industry as panel puller.



WH-9602CL WH-9602CM WH-9602CMA WH-9602CS

Model	Loading Capacity	Weight	Description	Diameter	Main body
WH-9602CL	40kgs \updownarrow	940gs	Suction cup	125mm 4.92"	Aluminum
WH-9602CM	30kgs \updownarrow	720gs	Suction cup	100mm 3.93"	Aluminum
WH-9602CMA	25kgs \updownarrow	720gs	Suction cup	100mm 3.93"	Plastic
WH-9602CS	20kgs \updownarrow	600gs	Suction cup	75mm 2.95"	Aluminum

Speciality Suction Cups

-With Spherical Rubber Pad

- ▶ The longitudinal holes in the articulated joints allow the transport of surfaces which are curved beyond standard such as those found on some automobile windscreens.
- ▶ Aluminum handle.



To pull up the plating notched part.



WH-9601



WH-9601J



WH-9601K

Model	Loading Capacity	Weight	Description	Diameter	Main body
WH-9601	20kgs \updownarrow	470gs	Suction cup	125mm 4.92"	Aluminum
WH-9601J	15kgs \updownarrow	420gs	Suction cup	100mm 3.93"	Aluminum
WH-9601K	10kgs \updownarrow	375gs	Suction cup	75mm 2.95"	Aluminum



L-2001



L-2002



L-2003

Model	Loading Capacity	Weight	Description	Diameter	Main body
L-2001	20kgs \updownarrow	340gs	Suction cup	125mm 4.92"	Plastic
L-2002	15kgs \updownarrow	260gs	Suction cup	100mm 3.93"	Plastic
L-2003	10kgs \updownarrow	240gs	Suction cup	75mm 2.95"	Plastic

- ▶ For tile or backslash handling.

TV-169A



Model	TV-169A	TV-169
Diameter	135mm	135mm
Weight	4.7 kg	4.7 kg
Material	Steel & Plastic	Steel & Plastic
Air Inlet	1/4"	
Sliding Hammer	1.22 kg	1.22 kg

TV-169



100mm

75mm

125mm

125mm

75mm

100mm

WH-9602L

Double Suction Cups

Weight	Diameter	Main body
920gs	117mm 4.8"	Aluminum



- ▶ Set of rubber suction pad for auto glasses.
- ▶ Can also be used to adjust and keep the position of windscreen.
- ▶ Used to keep the side glass in its position, allowing to work with free hands.

WH-9602P

Double Suction Cups

Weight	Diameter	Main body
650gs	117mm 4.8"	ABS

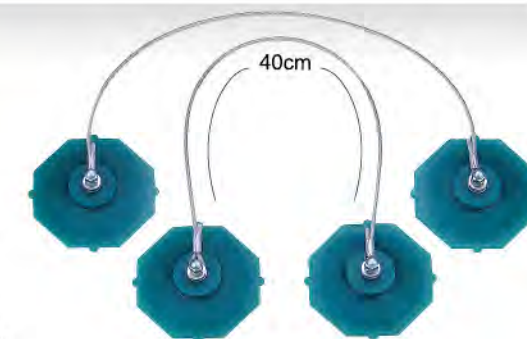


- ▶ Set of rubber suction pad for auto glasses.
- ▶ Can also be used to adjust and keep the position of windscreen.
- ▶ Used to keep the side glass in its position, allowing to work with free hands.

WH-7804

Window Handling Kit

Weight	Diameter	Main body
180gs	78mm 3"	Rubber



- ▶ Set of rubber suction pad for auto glasses.
- ▶ Used to keep the side glass in its position, allowing to work with tree hands, for use let the cable carrying on the car door and fix the set of rubber suction pad on both side of the glass.
- ▶ Can also be used to adjust and keep the position of wind-screen.

WH-7885

6 Suction Pad Clamps

Weight	Diameter	Main body
500gs	78mm 3"	ABS Plastic

- ▶ Essential for holding bodywork trims during gluing operations.



WH-9602F

Windshield Handling Kit 3pcs -Automotive service

Weight	Description	Diameter	Main body
1800g	2 Suction cups with ratchet tie down	117mm 4.6"	ABS Plastic

- ▶ Two glass reinforced plastic gripper handles with four ϕ 17mm lever operated suction pads.
- ▶ Powerful suction will handle 40-60kg of windscreen.
- ▶ Supplied with ratchet tie down to fix screen in position if required.



Maximum 100mm square glass
Maximum 200mm diameter in glass
Max. 100x100mm

WH-9601T

Single Suction Cup with spherical rubber pad.

Loading Capacity	Weight	Diameter	Main body
20kgs	380g	165mm 6.5"	Rubber

- ▶ It can be used by car repairers to raise small dents, and can be also of great use to glaziers.



WH-9601TS

Single Suction Cup with spherical rubber pad.

Loading Capacity	Weight	Diameter	Main body
10kgs	200g	130mm 5.1"	Rubber

- ▶ It can be used by car repairers to raise small dents, and can be also of great use to glaziers.



KT-3852FTG

Windshield Carry Trolley

Weight	Diameter	Main body
8.12Kgs	530x642x905mm	Plastic



WH-5505

Rubber Suction Cup -Double pack

Loading Capacity	Weight	Diameter	Main body
10kgs	93g	85mm 3.34"	Rubber

- ▶ Rubber gripper prevents damage to surface.
- ▶ Designed for handling glass, tiles, plastic, sheet metal and non-porous materials.



WH-5501

Single Suction Cup

Loading Capacity	Weight	Diameter	Main body
5kgs	49g	55mm 2.16"	Plastic



WH-9602MS

Glass Carrying Device

Weight	Diameter
1000g	200x88x175mm

- ▶ 1 handle, clamping range up to 25mm.
- ▶ Rubber lining area 200x80mm.
- ▶ Lifting capacity approx. 80kg.

* 2PCS in a Set



WH-9602MA

Glass Carrying Device

Weight	Diameter
1650g	200x88x175mm

- ▶ 1 handle, clamping range up to 40mm.
- ▶ Rubber lining area 200x80mm.
- ▶ Lifting capacity approx. 160kg.

* 2PCS in a Set



SL-1635

Light-Sheet Carry Holder

Weight	Diameter
300g	355x70x164mm



Seaming Tool

- ▶ The ideal tool for pulling together flat, smooth sheets of material exactly to the millimeter.
- ▶ Suitable for all materials with plane like glass, plastic, metal, coated wood, marble, etc.
- ▶ The vacuum for the seaming tool is produced by pressing down the levers.

WH-0702

Seaming Tool
Diameter:117mm,4.6"



WH-0702A

Seaming Tool
Diameter:117mm,4.6"



WH-9602E

Seaming Tool
Diameter:117mm,4.6"



WH-9602D

Seaming Tool
Diameter:117mm,4.6"



WH-9602S

Seaming Tool
Diameter:117mm,4.6"



WH-9602T

Seaming Tool
Diameter:117mm,4.6"
Loading Capacity:50 kg



WH-9602HP8A

Seaming Tool
Diameter:555mm,8"
Weight:4.87kg



WH-9602HP8B

Seaming Tool
Diameter:550mm,8"
Weight:3.7kg



WH-8093

90° Angle Suction Lifter

Weight	Diameter	Main body
200gs	88x75x57mm	Steel & Aluminem



WH-9602GR

Seaming Tool

Material	Diameter	Main body
Brass Handle	117mm	4.6" Steel & Aluminum



WH-9602MD

Carpet remover

Weight	Diameter	Main body
928gs	117mm	4.8" Aluminum

- ▶ Description : Aluminum alloy suitable for all carpeted double floors.
- ▶ By pressing down the hand gear, the spikes of the carpet remover hook into the carpet and provide a secure grip for lifting the floor carpet.

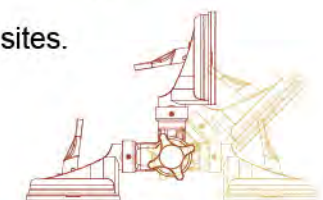


WH-9602G

Angle Suction Lifter adjustable from 45°-300°

Weight	Diameter	Main body
700gs	117mm	4.8" ABS

- ▶ Suction discs with additional sealing lip, 117mm diameter, 2 guiding units with 1 adjusting screw, which enable the shifting of the suction discs.
- ▶ Precise adjustment of the subjects to any desired position.
- ▶ The sides are connected by a rotatable link. For the fast gluing up in the angle range 45°-300°.
- ▶ Chosen angular adjustment with clamping lever tightly arrest able.
- ▶ Application to glass – constructions for example – as well at building sites.



Please do not use this lifter to carry glass or marble.

PS-2105

5 Pcs Trim Fastener And Molding Removal Kit

- ▶ Kit includes 5 different sizes and style of tools simplify trim and trim stud removal.
- ▶ This kit is made of composite plastic to prevent damage to trim, moldings, alloy wheels or painted finishes.

Model	PS-2105
Dimension	60x160 m/m
	21x178 m/m
	20x211 m/m
	30x200 m/m
	75x176 m/m
Weight	192 g



PS-2106

6 Pcs Mini Trim And Panel Removal Kit

- ▶ Kit includes 6 different sizes with slim profile to simplify removal of small trim items and panels.
- ▶ This kit is made of composite plastic to prevent damage to trim, panel, or painted finishes.

Model	PS-2106
Dimension	38x198 m/m
	24x202 m/m
	24x200 m/m
	15x202 m/m
	30x202 m/m
	33x198 m/m
Weight	132 g



213047

Mini Precision Hammer

- ▶ Mini hammer fitted with one steel face and one rubber face.
- ▶ Deliver precise force to make an item fit.
- ▶ Suitable for trim and panel works. Less likely to damage painted finishes.

Model	213047
Dimension	55x170mm
Weight	46 g



PS-1218

Plastic Chisel/Wedge set

- ▶ Remove timing belt cover, oil drain and etc.
- ▶ Also work for panel/trim removal
- ▶ Composite plastic design which won't cause any damage

Model	PS-1218
Dimension	127 mm,175 mm, 127 mm,175 mm
Material	PA+GF



PS-215

One Hand Silicone Remover

- ▶ For scraping, cleaning and peeling silicone in all occasions.
- ▶ Easy and simple use, one hand operation.
- ▶ Built by composite plastic, strong enough to do the job.
- ▶ Will not damage surface material during the operation.

Model	PS-215
Dimension	212x34x25.5mm
Weight	393 g
Material	POM



Push the remover backward to scrape the silicone.



Pull the remover backward to peel the silicone.



PS-2704

4 Pcs Composite Scraper Kit

- ▶ Composite Scrapers remove object without marring or damaging aluminum and painted finishes. Ideal for removing trim, residue from alloy wheels, badges and decals from bodywork. Plastic edges will not scratch or mark paint or panel work and can be re-sharpened with a file when required.

Model	PS-2704
Dimension	275mm
Blade sizes	38 mm,25 mm, 23 mm,20 mm
Weight	393 g



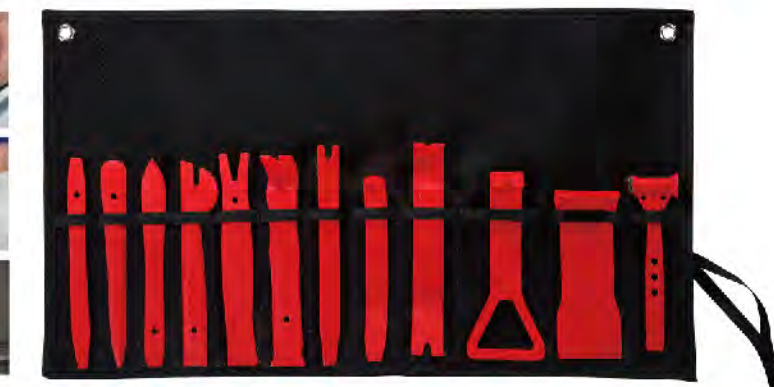
PS-2112P

12PCS Composite Fastner/Panel Removal Kit

Model	PS-2105
Dimension	60x160 m/m
	21x178 m/m
	20x211 m/m
	30x200 m/m
	75x176 m/m
Weight	192 g

Model	PS-2106
Dimension	38x198 m/m
	24x202 m/m
	24x200 m/m
	15x202 m/m
	30x202 m/m
Weight	132 g

Model	213047
Dimension	55x170mm
Weight	46 g



Professional Tool Carts & Cases

Tool Cart Professional Utility Cart

KT-707E



KT-707F



KT-707TV



KT-909E



KT-909F



KT-909FB



KT-707F1



KT-707F2



KT-707F3



Model	KT-707E	KT-707F	KT-707TV	KT-909E	KT-909F	KT-909FB	KT-707F1/F2/F3
Dimension	750x460x940 m/m	750x460x980 m/m	750x460x1180 m/m	1140x513x920 m/m	1140x513x960 m/m	990x513x1010 m/m	750x460x980 m/m
Upright	560mmx4pcs	280mmx8pcs	200mmx4pcs 560mmx4pcs	560mmx4pcs	280mmx8pcs	280mmx8pcs	280mmx8pcs
Plate	630x424 m/m	630x424 m/m	630x424 m/m	866x500 m/m	866x500 m/m	866x500 m/m	630x424 m/m

- ▶ Quality carts for automotive, shop and maintenance applications.
- ▶ Easy assembly with rubber mallet included.
- ▶ Push handle molded into top shelf.
- ▶ 4" Brake wheel x 2 pcs.
- ▶ Will not scratch car finish.
- ▶ Material: Plastic.
- ▶ Upright: Aluminum alloy.
- ▶ 4" Movable wheel x 2 pcs.



Standard wheels butterfly brake



Optional wheels with stop brake

KT-918

Assorted Case With Various Compartments

- ▶ Each compartment with Belt clip for easy carrying.
- ▶ Optional divider for more storage options.
- ▶ Tough composite plastic compartment with selective configuration.
- ▶ Clear see through design to identify contents at a glance.

Model	KT-918
Dimension	300x145x330 m/m
Weight	1.8 kgs



KT-369

Assorted Case With Various Compartments

- ▶ Each compartment with Belt clip for easy carrying.
- ▶ Optional divider for more storage options.
- ▶ Tough composite plastic compartment with selective configuration.
- ▶ Clear see through design to identify contents at a glance.

Model	KT-369
Dimension	300x145x330 m/m
Weight	1.8 kgs



KT-9615

Assorted Case With Various Compartments

- ▶ Each compartment with Belt clip for easy carrying.
- ▶ Optional divider for more storage options.
- ▶ Tough composite plastic compartment with selective configuration.
- ▶ Clear see through design to identify contents at a glance.

Model	KT-9615
Dimension	300x145x330 m/m
Weight	1.7 kgs



Accessories

4"228001/5"228002

Snail-Type Connection Couplings

Model	Diameter	Thread Size
228001	4"	5/8"-11,M14x2.0
228001	5"	5/8"-11,M-14



3G024031

11" Rubber Pad

Weight	Diameter
1.65kgs	274mm 11"



3G024032

12" Rubber Pad

Weight	Diameter
1.55kgs	288mm 12"



WH-127

Single Suction Cup

Weight	Diameter
750gs	125x80x20mm

- ▶ Power steel clamp with double thread hole for multiple usage.
- ▶ For clamping straight edges to glass and for insulating glass assembly.



3G024002



3G024011



3G024012



3G024003



3G024004



3G024005



208003



208004



208005



L-001



208009



208010



208006

Plunger replacement with alarm warning system



208065

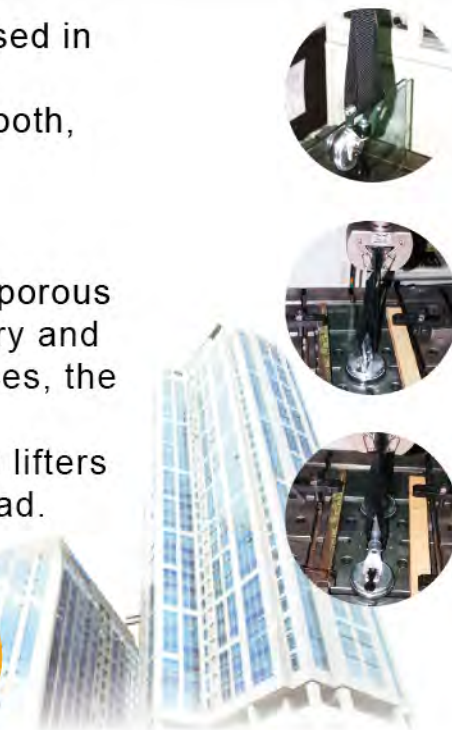


208060

Item.No	DESCRIPTION
3G024002	Rubber pad –123mm for WH-9601A
3G024003	Rubber pad –125mm for WH-9601,WH-9602CL,L-2001
3G024004	Rubber pad –100mm for WH-9601J,WH-9602CM,L-2002
3G024005	Rubber pad – 75mm for WH-9601K,WH-9602CS,L-2003
3G024006	Rubber pad –200mm for WH-9601H ,WH-9602H
3G024007	Rubber pad –175mm for WH-9601HA, WH-9601HB
3G024008	Rubber pad – 8" (203mm) for WH-9601HP8 , WH-9601HP8A
3G024009	Rubber pad – 10" (254mm) for WH-9601HP10
3G024010	Rubber pad for WH-9601S
3G024011	Rubber pad –117mm for WH-9602,WH-9602A,WH-9601B,WH-9602CA,WH-9602CB
3G024012	Rubber pad –123mm for WH-9802,WH-9802A,WH-9803,WH-9804
208003	Replacement parts package for WH-9601C
208004	Replacement parts package for WH-9601A,WH-9801A
208005	Replacement parts package for WH-9802,WH-9802A,WH-9803,WH-9804,WH-9602,WH-9602A,WH-9601B
208006	Plunger for WH-9601HP8
208009	Handle for WH-9601HP8
208010	Release valve for WH-9601HP8
208065	Plunger for WH-9601HP8

SAFETY INSTRUCTIONS

- ▶ Suction lifters are hand tools and must not to be used in connection with cranes or other lifting devices.
- ▶ Before each use, make sure the suction pad is smooth, clean, undamaged and without any cracks.
- ▶ Clean suction pads regularly with spirit or other non-aggressive cleaners.
- ▶ Make sure the surface/object to be lifted is of non-porous material. In addition, the surface must be clean, dry and free of oils and grease. On rough or porous surfaces, the holding capacity decreases or is non-existent.
- ▶ Do not use any sharp objects to loosen the suction lifters from the surface as this will damage the suction pad.



NUMERICAL INDEX

2			P		
208003	Replacement Parts Package	24	PS-1218	Plastic Chisel/Wedge Set	19
208004	Replacement Parts Package	24	PS-2105	5pcs Trim Fastener and Molding Removal Kit	19
208005	Replacement Parts Package	24	PS-2106	6pcs Mini Trim and Panel Removal Kit	19
208006	Plunger replacement	24	PS-215	One Hand Silicone Remover	20
208009	The Handle	24	PS-2112P	12pcs Composite Fastner/Panel Removal Kit	20
208010	Release Valve	24	PS-2704	4pcs Composite Scraper Kit	20
208060	6" Plunger replacement	24			
208065	Plunger replacement with alarm warning system	24			
213047	Min Precision Hammer	19			
228001	Snail-Type Connection Couplings	23			
228002	Snail-Type Connection Couplings	23			
			S		
			SL-1635	Light - Sheet Carry Holder	16
			SL-500	5" Pump Vacuum Suction Cups	5
			SL-600	6" Pump Vacuum Suction Cups	5
			SL-600A	6" Pump Vacuum Suction Cups	5
			SL-700	7" Pump Vacuum Suction Cups	5
3			W		
3G024002	Rubber Pad	24	WH-0702	Seaming Tool	17
3G024003	Rubber Pad	24	WH-0702A	Seaming Tool	17
3G024004	Rubber Pad	24	WH-127	Single Suction Cup	23
3G024005	Rubber Pad	24	WH-5501	Single Suction Cup	16
3G024011	Rubber Pad	24	WH-5505	Rubber Suction Cup -Double pack	16
3G024012	Rubber Pad	24	WH-7804	Window Handling Kit	14
3G024031	11" Rubber Pad	23	WH-7885	Suction Pad Clamps	14
3G024032	12" Rubber Pad	23	WH-8093	90° Angle Suction Lifter	18
			WH-9601	With spherical rubber pad	13
			WH-9601A	Single Suction Cup	7
			WH-9601B	Single Suction Cup	7
			WH-9601C	Single Suction Cup	7
			WH-9601G	Single Suction Cup	8
			WH-9601G1	Single Suction Cup	8
			WH-9601H	Tri-Position Vacuum Suction Cups	6
			WH-9601HA	Vacuum Gauge Suction Cups	6
			WH-9601HB	Lever Vacuum Suction Cups	6
			WH-9601HP10	10" Pump Vacuum Suction Cups	1
			WH-9601HP10A	10" Pump Vacuum Suction Cups	1
			WH-9601HP10B	10" Pump Vacuum Suction Cups	1
			WH-9601HP7	7" Pump Vacuum Suction Cups	4
			WH-9601HP7A	7" Pump Vacuum Suction Cups	4
			WH-9601HP7B	7" Pump Vacuum Suction Cups	4
			WH-9601HP7C	7" Pump Vacuum Suction Cups	4
			WH-9601HP7E	7" Pump Vacuum Suction Cups	4
			WH-9601HP8	8" Pump Vacuum Suction Cups	2
			WH-9601HP8A	8" Pump Vacuum Suction Cups	2
			WH-9601HP8C	8" Pump Vacuum Suction Cups	2
			WH-9601HP8E	8" Alarming vacuum Suction Cup	3
			WH-9601HP8G	8" Pump Vacuum Suction Cups	3
			WH-9601HP8S	8" Hand Pump Suction Lifter	3

WH-9601HP9	9" Pump Vacuum Suction Cups	2
WH-9601J	With spherical rubber pad	13
WH-9601K	With spherical rubber pad	13
WH-9601L	Single Suction Cup	8
WH-9601M	Single Suction Cup	9
WH-9601MA	Single Suction Cup	9
WH-9601MB	Single Suction Cup	9
WH-9601N	Single Suction Cup	8
WH-9601Q	Suction Lifter, All - rubber. With two finger holes	9
WH-9601S	Single Suction Cup	8
WH-9601T	Single Suction Cup	15
WH-9601TS	Single Suction Cup	15
WH-9602	Double Suction Cups	10
WH-9602A	Double Suction Cups with adjustable heads	11
WH-9602CA	Double Suction Cups	10
WH-9602CD	Double Suction Cups with adjustable heads	11
WH-9802CB	Double Suction Cups with adjustable heads	11
WH-9602CL	Lwith spherical rubber pad	12
WH-9602CM	Mwith spherical rubber pad	12
WH-9602CMA	MAwith spherical rubber pad	12
WH-9602CS	Swith spherical rubber pad	12
WH-9602D	Seaming Tool	17
WH-9602E	Seaming Tool	17
WH-9602F	Windshield Handling Kit 3pcs	15
WH-9602G	Angle Suction Lifter adjustable form45°-300°	18
WH-9602GR	Seaming Tool	18
WH-9602HP8A	Seaming Tool	18
WH-9602HP8B	Seaming Tool	18
WH-9602L	Double Suction Cups	14
WH-9602MA	Glass Carrying Device	16
WH-9602MD	Carpet remover	18
WH-9602MS	Glass Carrying Device	16
WH-9602P	Double Suction Cups	14
WH-9602S	Seaming Tool	17
WH-9602T	Seaming Tool	17
WH-9801A	Single Suction Cups	7
WH-9802	Double Suction Cups Nickel plated	10
WH-9802A	Double Suction Cups with adjustable heads	11
WH-9802S	Double Suction Cups-with silicon rubber pad	10
WH-9803	Triple Suction Cups	12
WH-9803C	Triple Suction Cups with fix heads	11
WH-9804	Fourfold Suction Cups	12
WH-P3A	Vacuum Mounting Cups	3
WH-P5A	Vacuum Mounting Cups	3
WH-P6	6" Vacuum Mounting Cups	5
WH-P6A	Vacuum Mounting Cups	3